

*The Milliner's
Scrapbook*

Property of Phileas J. Fogg

The Anatomy of a Hat

In the hands of my finest milliners, precision and artistry converge seamlessly, each creation - a masterpiece. From the regal crown to the genteel brim, each aspect meticulously fashioned to perfection. Ribbons, bows, and feathers, carefully selected and artfully arranged, lend an air of sophistication and refinement. Luxurious fabrics, such as silk and velvet, swathe the wearer in elegance, while delicate trimmings of lace and embroidery add a final flourish.

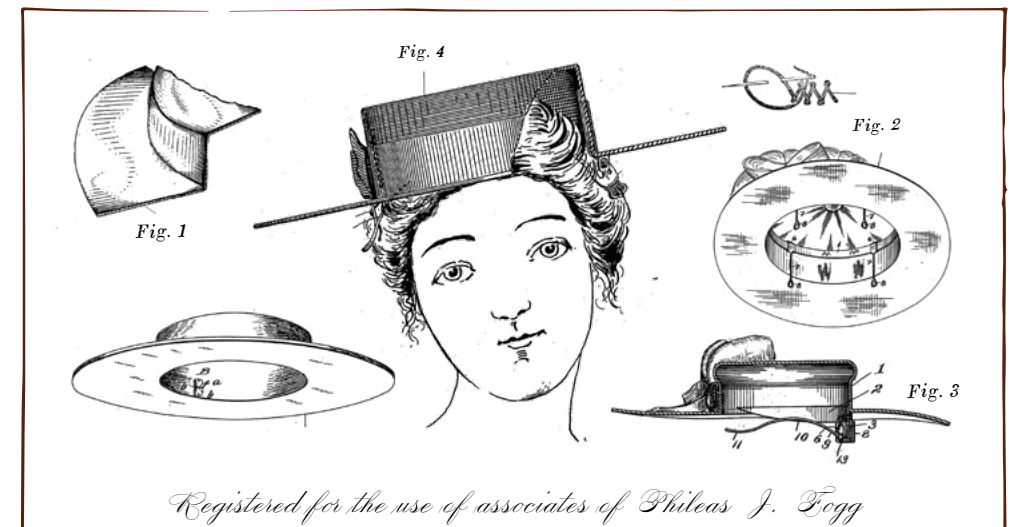


Fig. 1 - THE BRIMS Citrusy | Exotic | Refreshing

Fig. 2 - THE BOWS Sweet | Rich | Effervescent

Fig. 3 - THE FABRICS Floral | Fruity | Sour

Fig. 4 - THE CROWN Boozy | Complex | Bittersweet

FURTHER READING

Fogg's Favourites | Gin Flights | Champagne & Bubbles

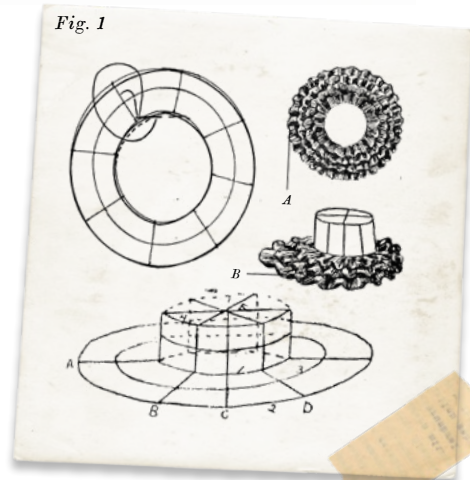
Fine Wines | Beer & Cider

The Brims

Notes: CITRUSY, EXOTIC & REFRESHING

THE IDENTITY OF A HAT

Ah, the brim, framing the countenance with a delicate embrace. Its width, or rather the lack thereof, calibrated to strike the perfect balance between modesty and allure. Its curvature, a symphony of subtlety, enhances the wearer's allure without overshadowing their beauty.



CURLED UP DELIGHT £16

Bombay Citron Pressé gin, Bacardi Coconut rum, Belle de Brillet Pear liqueur, lemon & pomelo sherbet and coconut purée, topped with pineapple & coconut air



OLD ENGLISH SNAP £15.5

Renais gin, cherry & vanilla syrup, fresh lime juice, fresh mint & kaffir lime leaves, topped with sparkling wine



SHARP BRIMLET £15

Ki No Bi gin, Akashi-Tai Ginjo Yuzushu, fresh lemon juice and kumquat syrup

...OR SERVED NON-ALCOHOLIC 122 kcal £12

Caleño Light & Zesty non-alcoholic spirit, yuzu sherbet, fresh lemon juice and kumquat syrup

All items include VAT. A discretionary service charge will be added to your bill. Please make staff aware of any allergies and intolerances you might have. A full list of all allergens contained in each cocktail is available upon request.

The Bows

Notes: SWEET, RICH & EFFERVESCENT



AN EDITION OF ELEGANCE

Adornments of silk ribbon, delicate lace, or maybe a rosette, grace the hat's crown with an air of feminine flair. Each trim, meticulously chosen and expertly applied, serves to elevate the hat from mere accessory to a statement of style and sophistication.



ORCHARD PICOT EDGE £16 | FOR 2 £31 | FOR 4 £58

Bombay Sapphire Premier Cru gin, Lillet Rosé wine-based apéritif, raspberry jam, spiced hibiscus & ginger syrup, cloudy apple juice and fresh lemon juice



For two or four!



GROSGRAIN & CREAM £15.5

...OR SERVED WARM

Bombay Sapphire gin, Mozart Dark Chocolate liqueur, Caffé Borghetti liqueur, coffee, cinnamon roll syrup, and Aztec chocolate bitters, topped with Frangelico hazelnut liqueur & Philadelphia cream cheese foam



LACE OF THE TROPICS £15

Malfy con Arancia gin, Martini Riserva Speciale Bitter aperitif, Aperol aperitif, mango tepache, fresh lemon juice and lychee purée, topped with Franklin & Sons Pineapple & Almond Soda

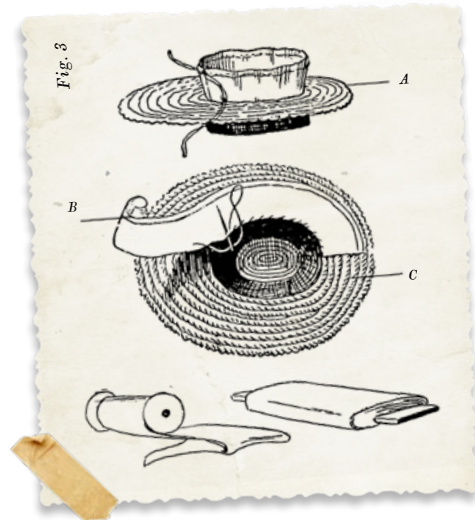
...OR SERVED NON-ALCOHOLIC 120 kcal £12

Everleaf Forest non-alcoholic aperitif, Martini Vibrante non-alcoholic aperitif, mango tepache, fresh lemon juice and lychee purée, topped with Franklin & Sons Pineapple & Almond soda

All items include VAT. A discretionary service charge will be added to your bill. Please make staff aware of any allergies and intolerances you might have. A full list of all allergens contained in each cocktail is available upon request.

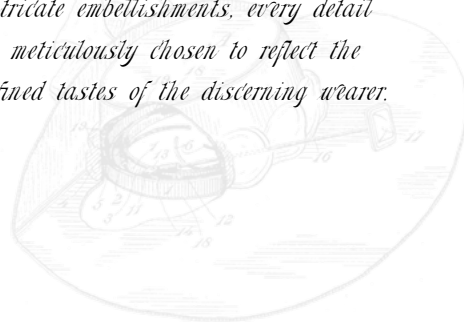
The Fabrics

Notes: FLORAL, FRUITY & SOUR



A TOUCH OF LUXURY

Crafted from the finest silks, satins, and velvets, each hat is a masterpiece of class and worldliness. From the softest fabrics to the most intricate embellishments, every detail is meticulously chosen to reflect the refined tastes of the discerning wearer.



SILKEN BLOSSOM £15.5

Ukiyo Blossom gin, Muyu Jasmine liqueur, Akashi-Tai Shiraume Ginjo umeshu, Earl Grey tea & clementine soda, fresh lemon juice



PHEASANT FURBELOW £15

Brockmans gin, Nonsuch Hedgerow and Rose shrub, hibiscus syrup and fresh lemon juice, topped with sparkling wine foam

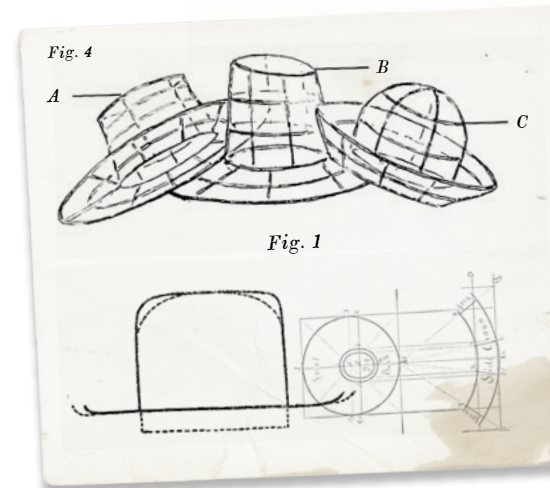


THE FINAL FLOURISH £15.5

Secret Garden Lavender gin, 42 Below vodka, bergamot liqueur, violet liqueur, blackberry shrub and fresh lemon juice

The Crowns

Notes: BOOZY, COMPLEX & BITTERSWEET



THE BODY OF A HAT

The crown, poised with structure and purpose, rises with elegance, a testament to the artistry inherent in the world of millinery. It presents itself in a cylindrical form, tapering upward toward the heavens, its silhouette, tailored to complement the contours of the wearers head, exudes refinement and charm.



CATTLEMAN'S EMBER £16

Monkey 47 gin, Martini Riserva Speciale Ambrato vermouth, Luxardo Bitter Bianco liqueur, Suze gentian liqueur and Paragon Vetiver cordial



DIAMOND DAZZLE

£15.5 | £32 including Mr Fogg's hip flask to take home

Caraway seeds-infused Tanqueray No. TEN gin, Martini Riserva Speciale Rubino vermouth, Bénédictine D.O.M liqueur, Rémy Martin VSOP cognac, Del Maguey Vida mezcal, Aztec chocolate bitters & Peychaud's bitters



TEARDROP TINCTURE £15

Blackeye gin, Emilio Lustau East India Solera sherry, Noilly Prat Dry vermouth, Casoni Figs and Cherries liqueur, crème de cacao brown liqueur and orange-infused Fernet-Branca amaro mist



FOGG'S FAVOURITES

Available to enjoy at all London establishments of Phileas J. Fogg, Esq.



PERFECT TIMING £16

SPICY / CITRUSY / INVIGORATING

Patrón Silver tequila, Cointreau orange liqueur, pink grapefruit juice, fresh lime juice and chipotle chilli-infused hibiscus syrup

...OR SERVED NON-ALCOHOLIC 95 kcal £12

CleanCo T alcohol-free spirit, Everleaf Forest non-alcoholic aperitif, pink grapefruit juice, fresh lime juice and chipotle chilli-infused hibiscus syrup



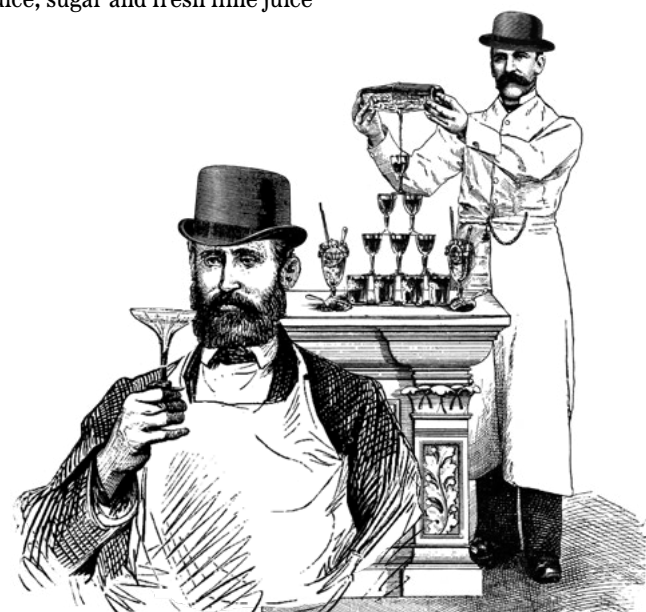
ELSKLING £16

FRESH / LIGHT / DELICATE

Oxley gin, St-Germain elderflower liqueur, cloudy apple juice, fresh lime juice, sugar and peach bitters

...OR SERVED NON-ALCOHOLIC 66kcal £12

CleanCo G alcohol-free spirit, elderflower cordial, cloudy apple juice, sugar and fresh lime juice



PASSEPARTOUT £15

FRESH / LIGHT / SOUR

The Botanist gin, fresh cucumber, fresh lemon juice, sugar, foamer bitters and black pepper



SPICY RUPEE £15

SPICY / AROMATIC / EXOTIC

Vanilla-infused Ketel One vodka, chilli infused elderflower cordial, fresh lime juice, and honey water



OLD FASHIONED ADVENTURER £15.5

RICH / DEEP / BITTERSWEET

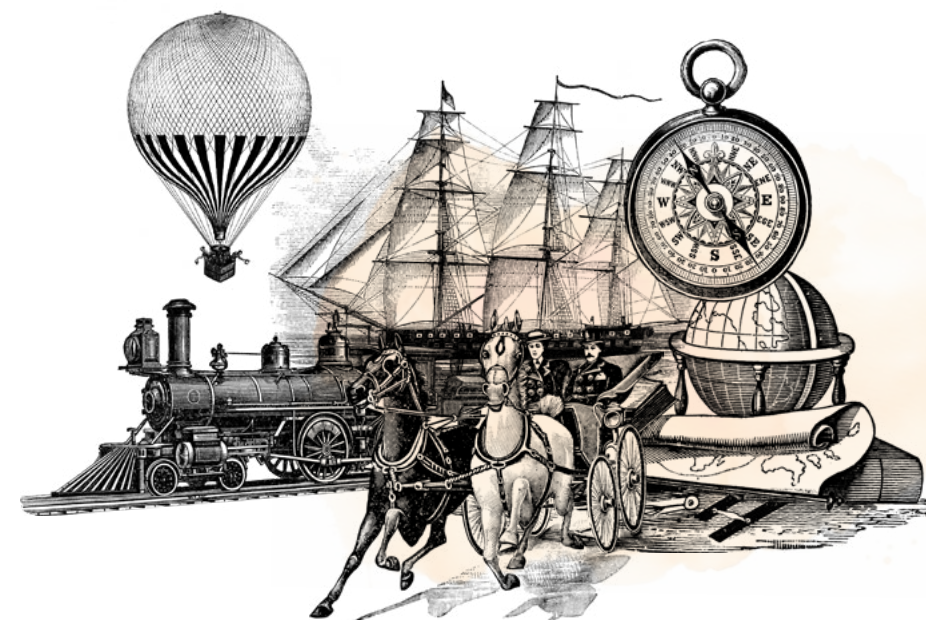
Dewar's 12 years old Scotch whisky, Bacardi Caribbean Spiced rum, Casoni Figs and Cherries liqueur, chocolate syrup and Angostura Orange bitters



BURLINGTON MARTINI £15

FRESH / LIGHT / DELICATE

Grey Goose L'Original vodka*, cucumber, fresh lime juice, sugar and fresh mint *also available with Bombay Sapphire Premier Cru gin in the place of Grey Goose L'Original vodka



All items include VAT. A discretionary service charge will be added to your bill. Please make staff aware of any allergies and intolerances you might have. A full list of all allergens contained in each cocktail is available upon request.

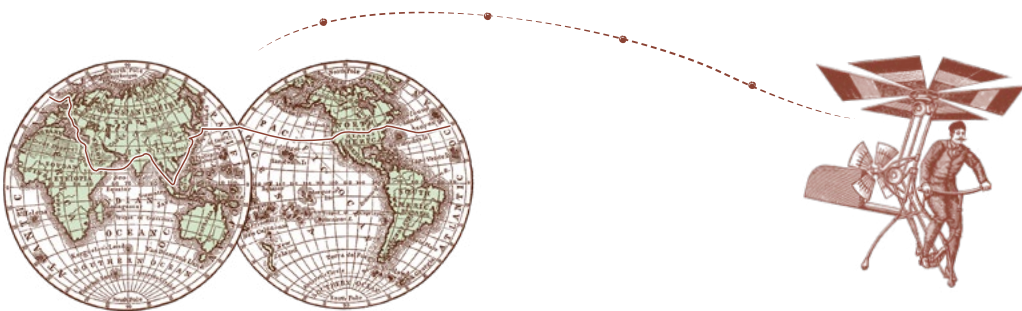
All items include VAT. A discretionary service charge will be added to your bill. Please make staff aware of any allergies and intolerances you might have. A full list of all allergens contained in each cocktail is available upon request.



GIN FLIGHTS

Discover the worlds flavours with Mr Fogg's Gin Flights, a trio of gin serves, expertly paired with garnish, tonic and tinctures.

Where will your adventure begin?



UNITED KINGDOM

£36

TANQUERAY BLACKCURRANT ROYALE *BLACKCURRANT*
Paired with Franklin & Sons Rhubarb & Hibiscus Tonic Water

PLYMOUTH SLOE *SLOE BERRIES*
Paired with Franklin & Sons Sicilian Lemon Tonic Water

BROCKMANS *WILD BERRIES*
Paired with Franklin & Sons Grapefruit & Bergamot Tonic Water



LONDON DRY

£36

BOMBAY SAPPHIRE PREMIER CRU
MURCIAN LEMON & MANDARIN PEEL
Paired with Franklin & Sons Mallorcan Tonic Water

TANQUERAY *CORIANDER SEEDS & ANGELICA ROOTS*
Paired with Mr Fogg's Franklin & Sons Indian Tonic Water

BEEFEATER 24 *GRAPEFRUIT PEEL & JAPANESE SENCHA*
Paired with Franklin & Sons Grapefruit & Bergamot Tonic Water



NORTHERN EUROPE

£36

OXLEY *GRAPEFRUIT & STAR ANISE*
Paired with Franklin & Sons Mallorcan Tonic Water

THE BOTANIST *LEMON BALM & SAGE*
Paired with Franklin & Sons Pink Grapefruit & Bergamot Tonic Water

BAREKSTEN *BERRIES & ELDERFLOWER*
Paired with Franklin & Sons Rhubarb & Hibiscus Tonic Water



SOUTHERN EUROPE

£36

AUDEMUS PINK PEPPER *PINK PEPPERCORNS & CARDAMOM*
Paired with Franklin & Sons Natural Light Tonic Water

GIN MARE *OLIVE LEAF & ROSEMARY*
Paired with Franklin & Sons Rosemary & Black Olive Tonic Water

MALFY ROSA *PINK GRAPEFRUIT & RHUBARB*
Paired with Franklin & Sons Grapefruit & Bergamot Tonic Water



SOUTH ASIA

£36

HAPUSA *GINGER & TURMERIC*
Paired with Mr Fogg's Franklin & Sons Indian Tonic Water

STRANGER & SONS *GINGER & NUTMEG*
Paired with Mr Fogg's Franklin & Sons Indian Tonic Water

COLOMBO *CINNAMON & CURRY LEAVES*
Paired with Mr Fogg's Franklin & Sons Indian Tonic Water and Angostura Bitters



EAST ASIA

£36

ROKU *SAKURA & SENCHA TEA*
Paired with Franklin & Sons Mallorcan tonic water

KI NO BI KYOTO DRY *YUZU & GREEN TEA*
Paired with Franklin & Sons Grapefruit & Bergamot tonic water

UKIYO YUZU *YUZU & BITTER ORANGE*
Paired with Franklin & Sons Natural Light Tonic Water



OCEANIA

£36

HIDDEN WORLD *KAWAKAWA & HOROPITO*
Paired with Mr Fogg's Franklin & Sons Indian Tonic Water

SCAPEGRACE *ANGELICA ROOTS & CLOVES*
Paired with Mr Fogg's Franklin & Sons Indian Tonic Water and Angostura Bitters

FOUR PILLARS RARE DRY *ORRIS & PEPPERBERRY*
Paired with Franklin & Sons Mallorcan Tonic Water



NORTH AMERICA

£36

FEW AMERICAN *TAHITIAN VANILLA & LEMON PEEL*
Paired with Mr Fogg's Franklin & Sons Indian Tonic Water

AVIATION *PARMA VIOLETS & SARSAPARILLA*
Paired with Franklin & Sons Elderflower & Cucumber Tonic Water

ST. GEORGE TERROIR *BAY LAUREL & SAGE*
Paired with Franklin & Sons Mallorcan Tonic Water

All items include VAT. A discretionary service charge will be added to your bill. Please make staff aware of any allergies and intolerances you might have. A full list of all allergens contained in each cocktail is available upon request.

All items include VAT. A discretionary service charge will be added to your bill. Please make staff aware of any allergies and intolerances you might have. A full list of all allergens contained in each cocktail is available upon request.



CHAMPAGNE

	<i>Glass</i>	<i>Bottle</i>	<i>Magnum</i>
	<i>125ml</i>	<i>750ml</i>	<i>1,500ml</i>
MOËT & CHANDON IMPÉRIAL BLANC N.V.	£15	£88	£185
MOËT & CHANDON IMPÉRIAL ROSÉ N.V.	-	£105	£225
VEUVE CLICQUOT YELLOW LABEL N.V.	-	£110	-
DOM PÉRIGNON VINTAGE BLANC	-	£295	-



BUBBLES

	<i>Glass</i>	<i>Bottle</i>
	<i>125ml</i>	<i>750ml</i>
CA' DI ALTE, <i>Prosecco Spumante Extra Dry, Veneto, Italy</i>	£9	£45
NON - ALCOHOLIC		
WILD LIFE BOTANICALS NUDE SPARKLING, <i>Cornwall, England</i>	-	£48

All items include VAT. All items are subject to availability. A discretionary service charge will be added to your bill.

WHITE

	<i>Glass</i>	<i>Bottle</i>
	<i>175ml</i>	<i>750ml</i>
PINOT GRIGIO - 'P' ALPHA ZETA, <i>Veneto, Italy</i>	£9.6	£39
LOUREIRO & ALVARINHO - AZEVEDO, <i>Vinho Verde, Portugal</i>	£10.5	£42
CHARDONNAY - MAS LA CHEVALIÈRE, PAYS D'OC, <i>Languedoc-Roussillon, France,</i>	-	£48
SAUVIGNON BLANC - TINPOT HUT, <i>Marlborough, New Zealand</i>	-	£55



ROSÉ

GRENACHE BLEND - MAISON MIRABEAU CLASSIC, <i>Côtes de Provence, France</i>	£10.8	£45
---	-------	-----



RED

MONASTRELL - FAMILIA CASTAÑO, <i>Murcia, Spain</i>	£9.6	£39
MALBEC - KAIKEN CLÁSICO, <i>Mendoza, Argentina</i>	£10.5	£42
GRENACHE - WILLUNGA 100, MCLAREN VALE GRENACHE, <i>South Australia</i>	-	£48
SYRAH, MOURVÈDRE, GRENACHE - FAMILLE PERRIN, CÔTES DU RHÔNE, <i>Southern Rhône, France</i>	-	£55

All still wines are served in 175ml measures as standard, but are also available in 125ml measures upon request

ARE YOU READY FOR AN ADVENTURE?

Each location in the Mr Fogg's Collection has its own signature cocktail menu to explore.



MAYFAIR



MAYFAIR



COVENT GARDEN



COVENT GARDEN



STRAND



FITZROVIA



SOHO



SOHO



THE CITY

Reservations · Experiences · Gift Vouchers · Venue Hire
WWW.MR-FOGGS.COM